



OWNER'S MANUAL

GEN-12

LESS LETHAL 12ga

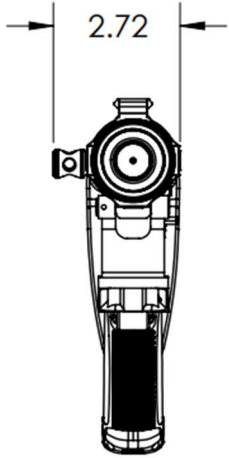
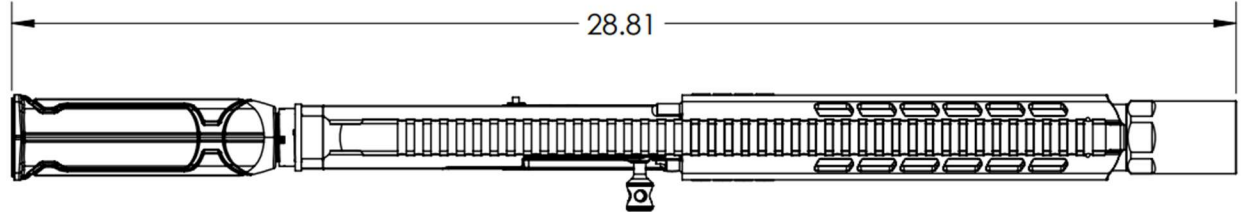
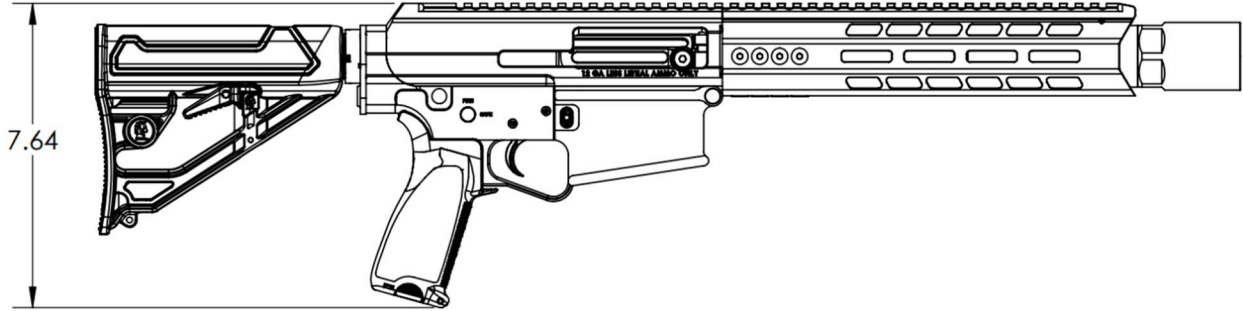
TABLE OF CONTENTS

<u>Section</u>	<u>Page</u>
1. Specifications	2
2. Advisements	4
3. External Nomenclature	6
4. Handling	7
5. Field Stripping	8
6. Bolt Carrier Group Disassembly	8
7. Upper Receiver Group Disassembly	9
8. Lower Receiver Group Disassembly	10
9. Magazine Disassembly	13
10. Cleaning	14
11. Lubrication	14
12. Exploded Diagrams	15

SPECIFICATIONS

MODEL:	GEN-12 LL 10.5" LESS LETHAL
<u>DIMENSIONS</u>	
LENGTH	28.81 IN (732mm) COLLAPSED, 32 IN (813mm) EXTENDED
HEIGHT	7.64 IN (194mm)
WIDTH	2.72 IN (69mm)
BARREL LENGTH	10.625 IN (270mm)
CHAMBER	2 3/4" 12 GA LESS LETHAL ONLY
MUZZLE THREAD	1.375" x 24 TPI (HUB compatible)
HANDGUARD LENGTH	10.375 IN (264mm)
WEIGHT (NO MAG)	7 LBS, 1.84 OZ
MAG WEIGHT (5&10)	5RND- 6.88 OZ, 10RND- 11.84 OZ
<u>FEATURES</u>	
CLASSIFICATION	LESS LETHAL (LEO)
OPERATING PRINCIPLE	DELAYED BLOWBACK
LOWER RECEIVER TYPE	GEN1 DPMS .308 PATTERN
LOWER RECEIVER ALLOY	6061 ALUMINUM
UPPER RECEIVER TYPE	GENESIS GEN-12 LL PROPRIETARY
UPPER RECEIVER ALLOY	6061 ALUMINUM
HANDGUARD TYPE	FREE FLOAT M-LOK @ 3,6,9 WITH FULL TOP RAIL
HANDGUARD ALLOY	6061 ALUMINUM
STOCK TYPE	ADAPTIVE TACTICAL EX PERFORMANCE ADJUSTABLE (ORANGE)
BUFFER TUBE	MIL SPEC CARBINE 1.150" DIA.
BUFFER SPRING	CARBINE 10" 24 COIL FLAT WIRE
BUFFER	.308 SHORT CARBINE 3.8 OZ
BARREL ALLOY	4130 nitride finish
MUZZLE DEVICE	LESS LETHAL BLAST CAN
TRIGGER TYPE	MIL SPEC
TRIGGER PULL WEIGHT	5.5-8 lbs
SELECTOR TYPE	MIL SPEC
GRIP	HOGUE OVERMOLD
OP HANDLE	RIGHT SIDE

SPECIFICATIONS



ADVISEMENTS

Firearms Safety

Firearms safety is the responsibility of the user. Never assume the condition of a firearm or rely upon others to confirm that a firearm is in a safe condition. It is important to follow the rules of safe firearms handling at all times.

- 1. Always keep the firearm pointed in a safe direction.** A safe direction is defined as any direction that would not endanger people or property.
- 2. Keep your finger off of the trigger until ready to shoot.**
- 3. Keep the firearm unloaded until ready to use.**
- 4. Know your target and what is beyond it.**

Receiver Compatibility

Genesis Arms Gen-12 upper receivers are designed to fit and function properly when paired with a DPMS Gen 1 .308 pattern lower receiver. There are many manufacturers producing this type of lower receiver, however with slight dimensional differences. It is with this fact in mind that **Genesis Arms can only guarantee proper fitment and function of the Gen-12 upper receivers and magazines when paired with Genesis Arms Gen-12 lower receivers.** While Genesis Gen-12 upper receivers will mount to other DPMS Gen 1 .308 pattern lower receivers, magazine fitment and function cannot be guaranteed.

Modifications

Modifications or alterations to any of the Gen-12 parts or assemblies are strongly discouraged and will void any manufacturer warranty. There are parts unique to the Gen-12 delayed blowback operating system that require precise adjustment to ensure proper and safe operation. **Genesis Arms shall not be responsible for injury, death, or property damage resulting from faulty installation, misuse, modification or alteration of any Genesis product.**

Ammunition

The Gen-12 Less Lethal is specifically designed for use with 12 gauge bean bag less lethal munitions.

Do not attempt to shoot any standard or lethal shotshells in the Gen-12 Less Lethal.

Use of reloaded ammunition (“reloads”) is not recommended. Remanufactured, nonstandard, reloaded, altered or modified ammunition may cause harm to you, damage your GEN-12 LL and will void your warranty.

Adhesives and Threadlockers

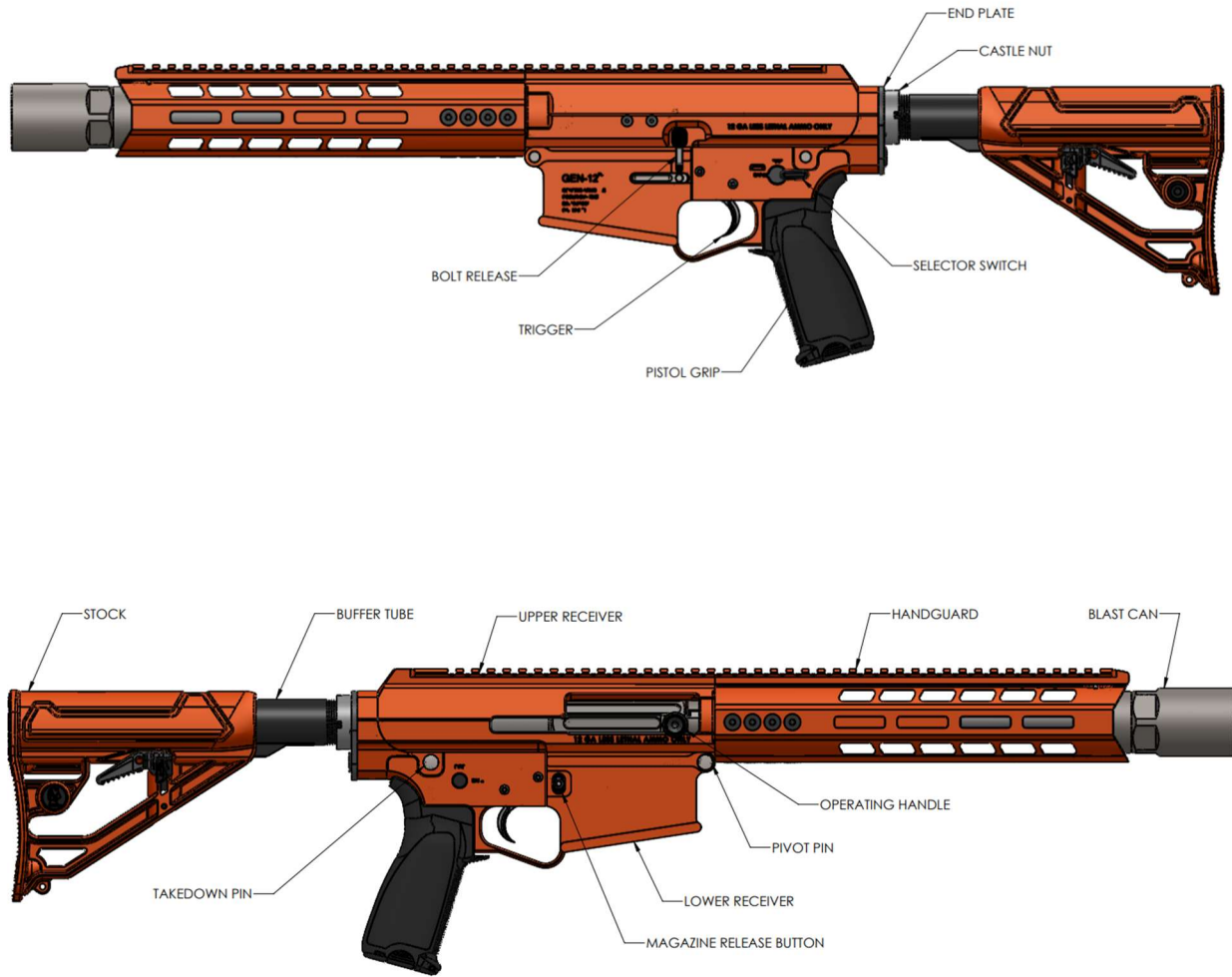
Due to the recoil generated by 12 gauge shotshells, threadlockers and adhesives are used in the assembly of the Gen-12. Attempting to remove parts from the Gen-12 without addressing this may

result in damaged or broken parts and tools. All parts utilizing threadlockers or adhesives will be specifically referenced in this manual and should be removed and reapplied only in the prescribed manner. Follow the manufacturer's instructions for the use of each individual adhesive product.

Lead Warning

Exposure to lead is known to cause birth defects, reproductive disorders and serious physical harm. Firing in a poorly ventilated space, firearm cleaning, or handling ammunition may expose you to lead. Always have proper ventilation, wash hands and clean work surfaces after exposure or possible exposure to lead.

EXTERNAL NOMENCLATURE



HANDLING

Before handling the condition of the gun must be determined. **A safety check is the only way to definitively know and ensure that the shotgun is unloaded and safe to handle.** This step is critical to the safety of the operator and those in the vicinity. **This process should be performed every time the shotgun is picked up and before the operator does anything to the gun that could result in the trigger being pulled.** Each and every operator/ handler is responsible for performing this task individually... no assumption should be made that a firearm is “clear” of ammunition in any instance, even if told so by another operator/ handler.

Safety Check Procedure

- 1. Keep the shotgun pointed in a safe direction.** A safe direction is defined as any direction in which an accidental discharge would not result in injury to any person or damage of property in the vicinity. Consideration should be given to who or what may be behind a wall, overhead or under a floor.
- 2. Ensure that the selector switch is in the SAFE position.** The Gen-12 LL utilizes a selector switch located on the left side of the lower receiver (some models use an ambidextrous selector switch) that is clearly marked SAFE and FIRE in the respective locations.
- 3. Remove the magazine.** The magazine release button is located on the right side of the lower receiver forward of the trigger. Depress the button and remove the magazine from the shotgun.
- 4. Open the bolt and lock it fully to the rear.** The operating handle is located on the bolt carrier. Pull the operating handle to the rear of the firearm until it stops, then engage the bolt stop located on the left side of the lower receiver. This will retain the bolt carrier group behind the magazine well in the open position.
- 5. Visually and physically inspect the chamber.** Look into the open ejection port and verify that there is no ammunition present in the shotgun. A finger sweep can be performed to further verify that the shotgun is unloaded in low light situations.

Loading Procedure

- 1. Point shotgun in a safe direction and keep fingers off of the trigger.**
- 2. Ensure the selector is in the SAFE position.**
- 3. Insert a loaded magazine into the lower receiver.**
- 4. Pull operating handle to the rearmost position and release it to load a shell.** If the bolt is locked in the open position prior to inserting the magazine, simply release the bolt from the bolt stop utilizing the control on the left side of the lower receiver.

Unloading Procedure

- 1. Point shotgun in a safe direction and keep fingers off of the trigger.**
- 2. Ensure the selector is in the SAFE position.**
- 3. Press the magazine release button and remove the magazine.**
- 4. Pull operating handle to the rearmost position and engage the bolt stop.**
- 5. Visually and physically inspect the chamber for ammunition.**

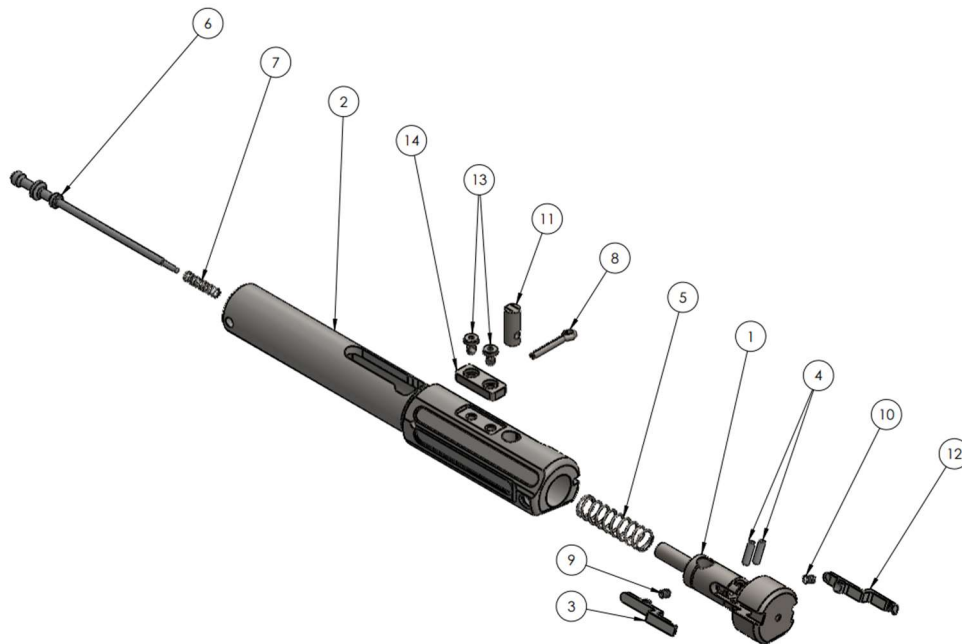
FIELD STRIP PROCEDURE

Basic disassembly or “field stripping” a firearm is the process of breaking down a complete firearm into its constituent groups for the purpose of inspection, cleaning or clearing obstructions. When field stripped the Gen-12 is disassembled into three groups: the lower receiver group, upper receiver group and bolt carrier group.

Before attempting to field strip the shotgun perform a safety check.

1. Starting with the bolt closed and magazine removed, push the takedown pin and the pivot pin from left to right until the lower receiver is separated from the upper receiver. The pivot and takedown pins are retained in the lower receiver after disassembly and are not removed from the lower assembly in this procedure.
2. Remove the operating handle from the bolt carrier in the upper assembly. There are two methods available for removing the operating handle, either with a 5/32” hex wrench inserted into the center of the handle, or a punch, screwdriver etc. placed through the sides of the handle. Turn the handle counterclockwise to remove. The operating handle is retained securely in the bolt carrier and may require some effort to break it loose.
3. Remove the bolt carrier group from the rear of the upper receiver.
4. Depress the buffer retainer and remove the buffer and buffer spring in a controlled manner.

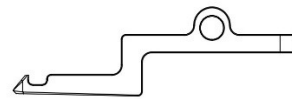
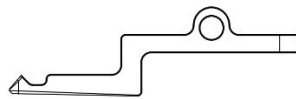
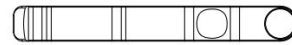
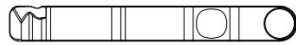
BOLT CARRIER GROUP DISASSEMBLY



1. Remove the firing pin retainer (#8).
2. Remove the firing pin (#6) and firing pin spring (#7).
3. Remove the cam pin (#11).
4. Remove the bolt (#1) and bolt return spring (#5) from the bolt carrier (#2).
5. Remove the extractors (#3 & #12) by pushing out the extractor pins (#4) from the bolt (#1)*.

NOTES:

***The extractors of the Gen-12 bolt are not interchangeable.** The outboard extractor (#3) has a square nose while the inboard extractor (#12) has a lead-in ramp. The outboard extractor uses a heavier spring (#9) than that of the inboard extractor (#10) and should never be interchanged. The extractors should only be removed if necessary for inspection, deep cleaning or replacement.

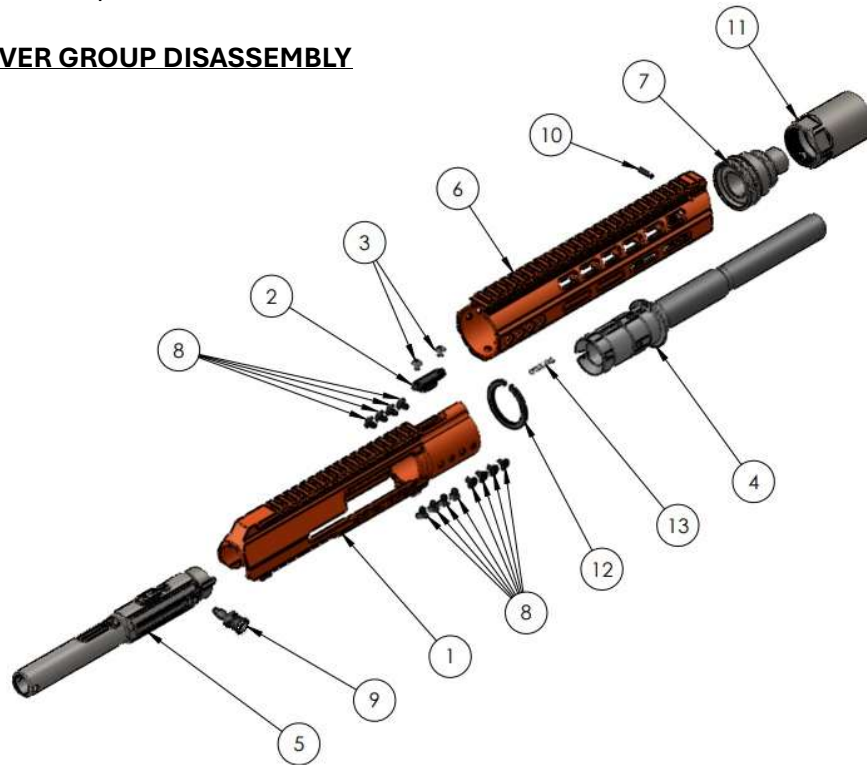


INBOARD EXTRACTOR

OUTBOARD EXTRACTOR

*Do not remove the timing block (#14) from the top of the bolt carrier as it is secured with Loctite 272 and considered a permanent installation.

UPPER RECEIVER GROUP DISASSEMBLY



1. Remove the 12 handguard screws (#8) with a 1/8" hex wrench. The handguard screws are secured with Loctite 242 and may require light heat be applied to loosen without damaging the screw heads.
2. Remove the handguard (#6) by sliding the assembly forward.
3. Remove the barrel key (#2). There are two variations of barrel keys on the Less Lethal models, one secured with two screws(#3) and one with no screws. For models with the key screws, remove with a 1/8" hex bit. The screws are retained with Loctite 242 and may require light heat to loosen.
4. Remove the barrel by sliding the barrel extension (#4) forward and out of the upper receiver. The recoil spring (#13) will fall free from the assembly at this point.

NOTES:

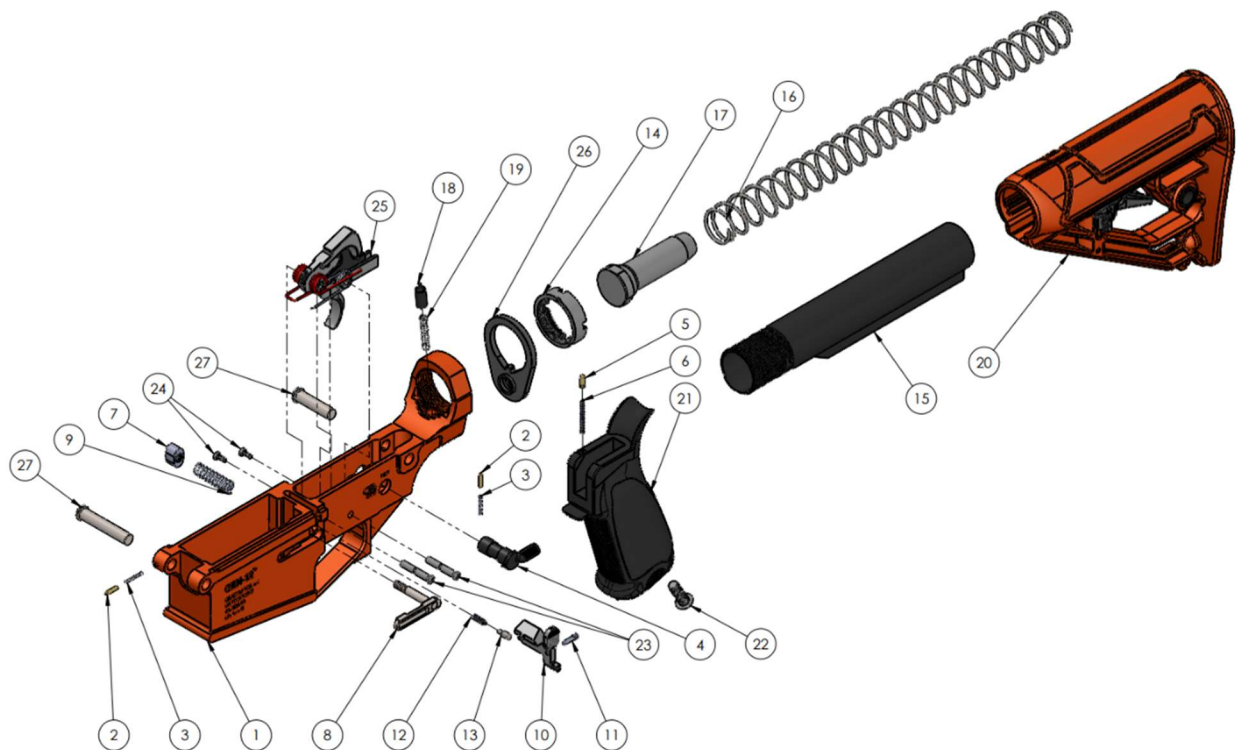
***Removal of the barrel bushing (#9) from the handguard is not advised.** These parts are installed with Loctite 272 to a specific location and then drilled and pinned. Attempted removal can result in damage to the associated threads and require Factory Service.

***The barrel extension (#4) should not be removed from the barrel as this part is considered a permanent installation** as it is secured with Loctite 272 and staked to the respective threads. Any attempt to remove this part will permanently damage the barrel assembly.

*The fixed ejector should not be removed from the upper receiver as it is installed with Loctite 272 and torqued to prevent loosening.

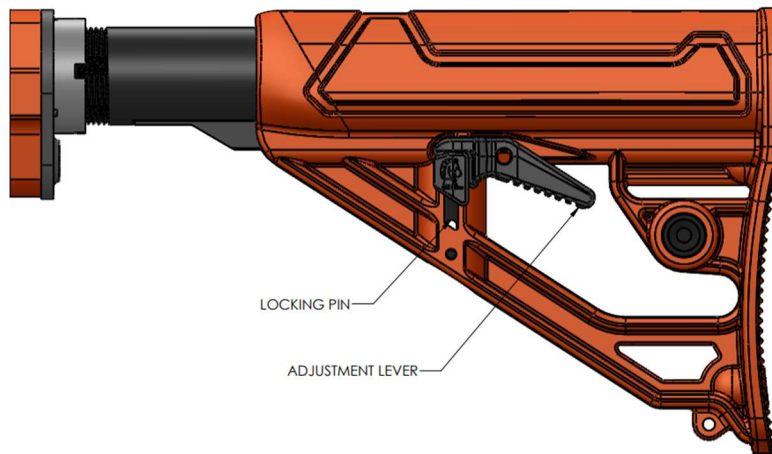
LOWER RECEIVER GROUP DISASSEMBLY

Do not dry fire the hammer or allow the hammer to drop in an uncontrolled manner when the lower receiver is separated from the upper receiver. Doing so can result in damage to the bolt catch due to the impact from the hammer.



1. Depress the buffer retainer (#18) and remove the buffer (#17) and spring (#16) from the buffer tube in a controlled manner. Use caution as the buffer spring is under tension when installed in the buffer tube.
2. Remove the grip (#21) from the lower receiver (#1) using a 5/32" hex wrench inserted through the bottom of the grip. Watch for the selector spring (#6) and takedown detent spring (#3) retained by the grip on the right side of the lower receiver. As the grip is loosened the springs will become visible. Caution should be exercised to prevent loss or damage to these springs. Remove the springs and respective detents (#5 & #2)- a light tap on the palm of your hand may aid in removal of the detents.
3. Remove the takedown pin (#27) from the right side of the receiver.

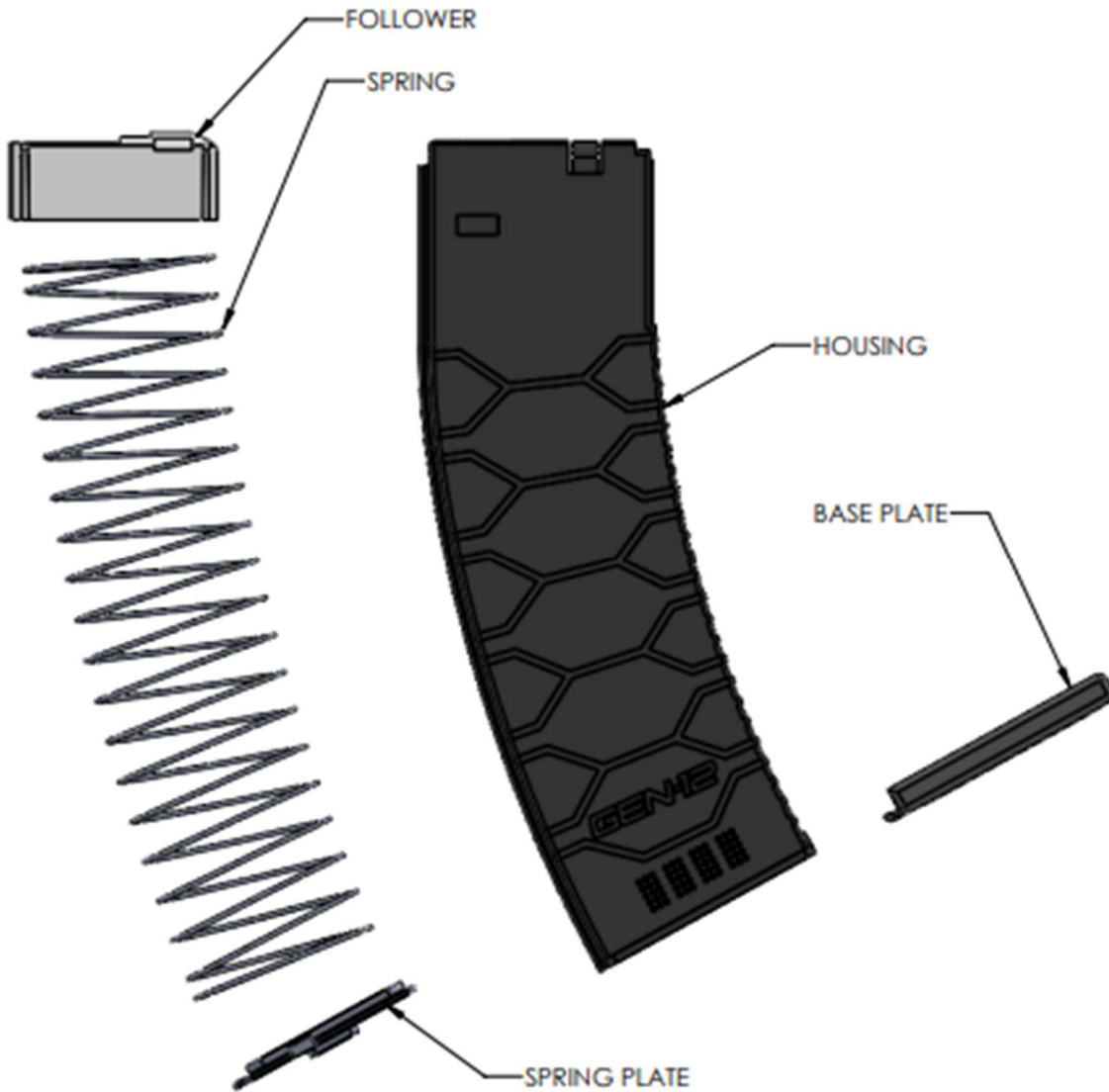
4. Remove the selector switch (#4) from the left side of the receiver. It may be necessary to ensure that the hammer is in the cocked position to allow the selector to be removed. For ambidextrous selectors, remove the right side control using a 5/64" hex wrench prior to disassembly.
5. Remove the hammer pin retaining screw (#24) from one side of the receiver. The screws are secured using Loctite 242 and may require some effort to break loose. Using a pair of T10 Torx wrenches on opposite sides of the pin, turn one wrench counterclockwise while holding the other stationary. Once one of the screws breaks loose, remove that screw leaving the other in place.
6. Lower the hammer to the fired position in a controlled manner. Hold the hammer securely as it is under spring pressure. Push the hammer pivot pin (#23) out of the receiver from the side the retaining screw was removed using a punch and carefully remove the hammer assembly from the lower receiver.
7. Remove the trigger pin retaining screw (#24) from one side of the receiver using the same procedure as the hammer pin.
8. Push the trigger pivot pin out of the receiver from the side the retaining screw was removed. Use caution as the trigger and disconnecter are under spring pressure. Capture the disconnecter and trigger assembly and remove from the lower receiver.
9. Remove the bolt catch screw (#11) using a 1/16" hex wrench. The bolt catch screw is installed using Loctite 242 and is lightly staked to prevent the screw from backing out. This step should only be performed if the removal of the bolt catch is necessary.
10. Remove the bolt catch (#10), bolt catch spring (#12) and follower (#13) from the lower receiver.
11. Using a non-marring punch, depress the magazine catch button (#7) fully and unscrew the magazine catch from the button by rotating the catch counterclockwise on the left side of the lower receiver. Once unthreaded, the magazine catch button becomes loose and is under spring pressure so be sure to anticipate this and retain the button and spring (#9).
12. Remove the pivot pin (#27). Slide the pin all the way to the right side of the lower receiver and locate the small hole in the front side of the pin. Insert a 1/16" punch into the hole and depress the pivot pin detent and spring. Rotate the pin roughly 90 degrees. Carefully remove the pivot pin from the right side of the lower receiver. The pivot pin detent (#2) and spring (#3) will rapidly decompress once the pivot pin clears the lower receiver so be sure to anticipate this and retain the detent and spring.



- 13.** Remove the buttstock (#20) from the buffer tube by pulling downward on the locking pin of the length adjustment lever assembly and sliding the stock rearward and free from the buffer tube.
- 14.** Buffer tube removal: This step is only necessary if the buffer tube has become damaged or otherwise needs to be replaced. The buffer tube and castle nut are secured to the lower receiver with Loctite 242 and may require some effort to break loose. With this in mind the buffer tube can be removed with the following procedure:
 - Using a buffer tube castle nut tool or combination tool, thread the castle nut (#14) counterclockwise away from the lower receiver. If the castle nut is too tight to remove in a controlled manner, the application of light heat to the nut will help loosen the Loctite.
 - Once the castle nut is backed away from the lower receiver far enough to free up the end plate (#26), slide the end plate away from the lower receiver behind the castle nut.
 - **CAUTION:** The buffer retainer (#18) is under spring tension and will jump out of the lower receiver when the buffer tube is unthreaded approximately $\frac{1}{4}$ turn. Control the buffer retainer by placing your thumb over it and unthread the buffer tube until the retainer is released. Remove the retainer and spring (#19). Continue to unthread the buffer tube from the lower receiver until it is removed.

MAGAZINE DISASSEMBLY

1. Depress the spring plate tab located in the center of the magazine base plate with a non-marring punch.
2. Slide the base plate forward. **CAUTION- the magazine spring is under spring pressure and will want to jump out of the magazine housing when the plate is removed.**
3. Remove the base plate, magazine spring and follower.



CLEANING

Cleaning the Gen-12 can be performed using many commercially available solvents and products. Ultrasonic cleaning as well as manual cleaning can safely be performed. Abrasives and hard wire brushes should be avoided as they can damage the parts finish and offer little to no advantage when cleaning. Foaming bore cleaners should be used with caution as excess cleaner can creep into the upper receiver around the barrel extension which must remain lubricated for proper function of the Gen-12 delayed blowback action.

Before working on any firearm, a safety check must be performed. Eye protection is recommended while cleaning the Gen-12.

General cleaning after use should include the following:

- Clean the barrel bore.
- Clean the chamber and locking lug areas of the barrel extension.
- Clean the assembled bolt carrier group including the locking lug areas of the bolt and extractors.
- Wipe out the upper receiver assembly.
- Clean the accessible areas of the lower receiver assembly.

Periodic cleaning should also include:

- Cleaning of the disassembled bolt carrier group.
- Removal of the handguard to clean the outside of the barrel, VIB assembly and barrel extension.
- Disassembly of the fire control system and complete cleaning of its components.
- Cleaning of the buffer assembly.
- Cleaning of the magazine assembly.

LUBRICATION

Lubrication is the utmost importance for the function and longevity of the Gen-12. Good quality gun oil is recommended. Lubrication should be applied to the following:

Upper receiver:

- Interface between the upper receiver and barrel extension.
- Locking lug area of the barrel extension.
- Timing block raceway.
- Wear insert.

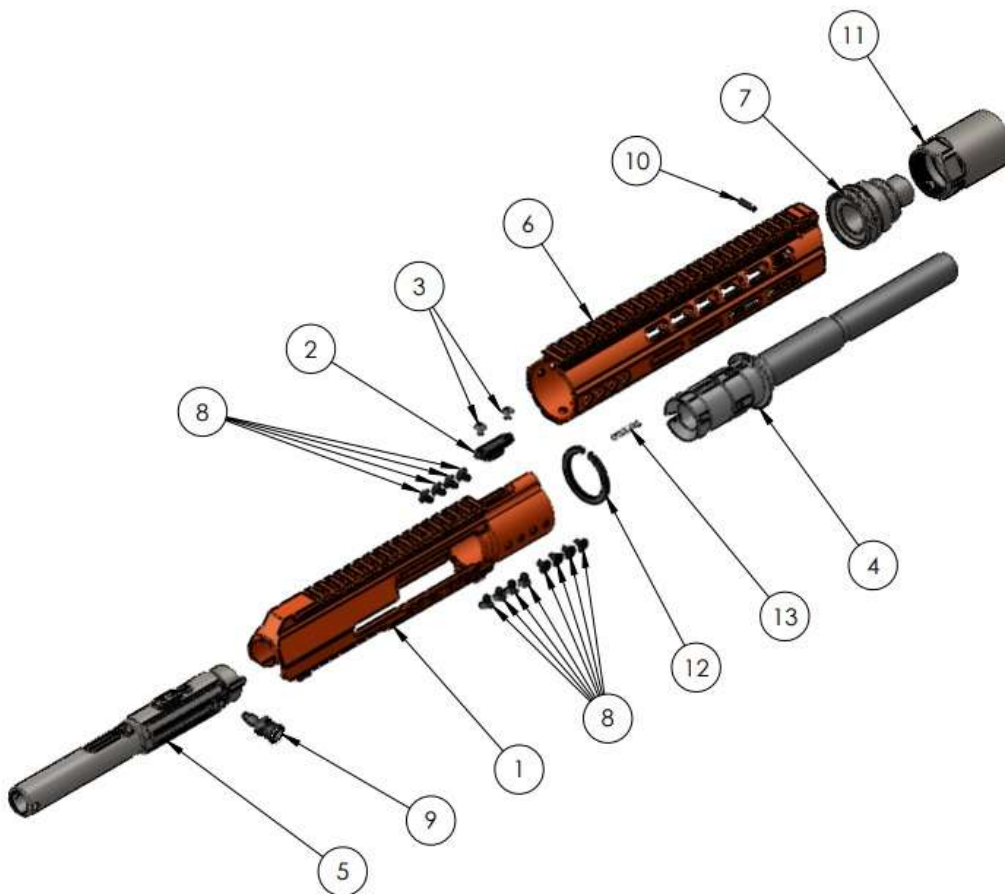
Bolt carrier group:

- Extractors.
- Bolt and bolt return spring.
- Cam pin.
- Firing pin and spring.
- External surfaces of the bolt carrier.

Lower receiver:

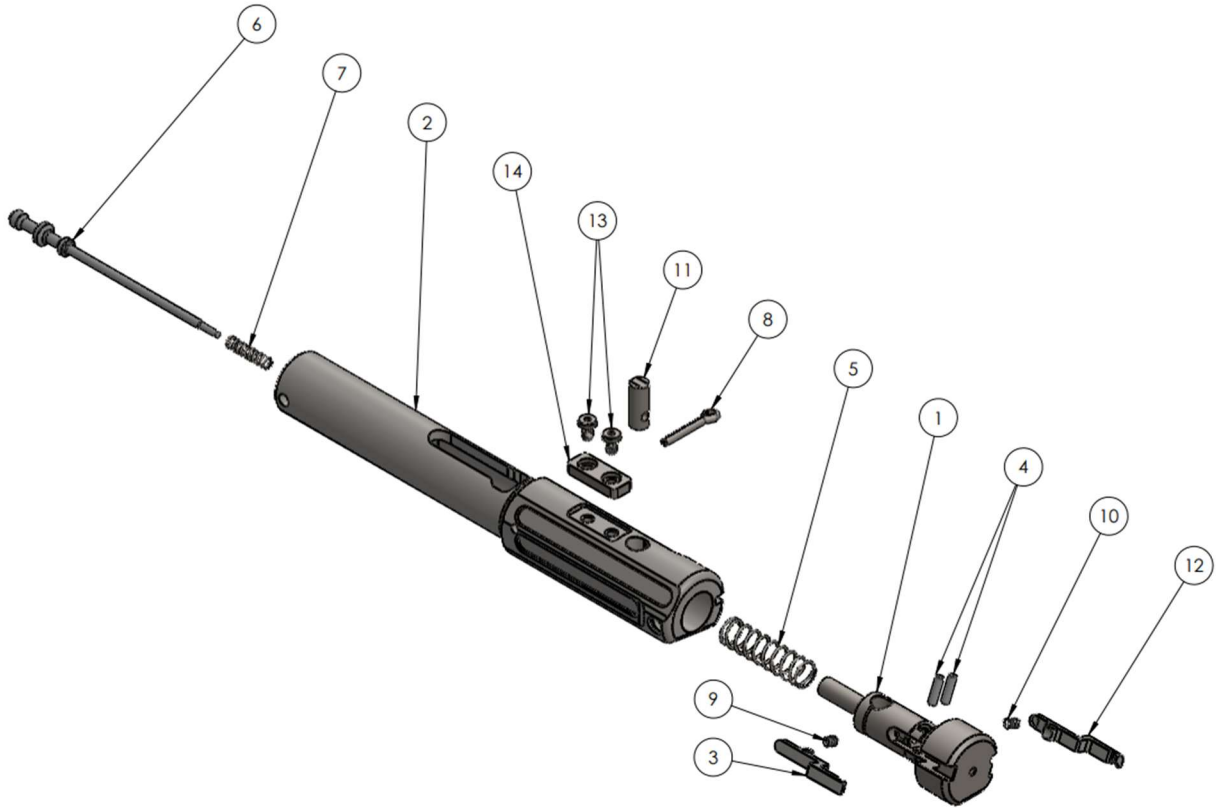
- Buffer and spring.
- Trigger and hammer pins.
- Bolt catch pivot.
- Selector switch.
- Magazine: NO LUBRICATION.

GEN-12 LESS LETHAL



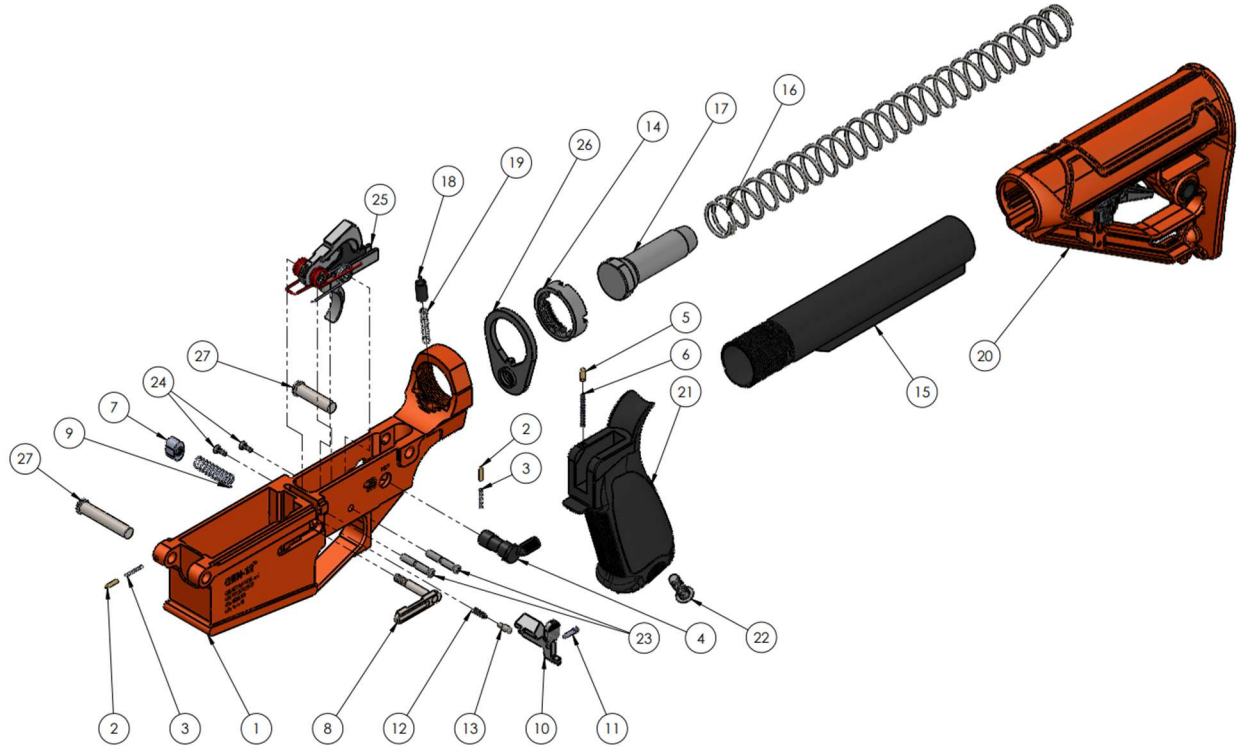
ITEM NO.	PART NUMBER	DESCRIPTION	QTY.
1	LL-G100-38-RH	UPPER RECEIVER SUB ASSY, LESS LETHAL	1
2	G104-24	BARREL TIMING KEY	1
3	HW100-01	10-24 BUTTON SCREW	2
4	LL-G103-04	BARREL ASSY, LESS LETHAL	1
5	LL-G103-77	BOLT CARRIER GROUP - LESS LETHAL	1
6	G101-09	HANDGUARD - 10" SBM	1
7	G102-90	BARREL BUSHING	1
8	G101-13	HANDGUARD SCREW	12
9	G101-78	STANDARD CHARGING HANDLE	1
10	G101-42	BARREL BUSHING PIN	1
11	G104-31	STEEL BLAST CAN	1
12	G104-39	IMPACT RING - LESS LETHAL	1
13	HW101-01	BARREL RETURN SPRING - LESS LETHAL	1

LESS LETHAL DELAYED BLOWBACK CARRIER



ITEM NO.	PART NUMBER	DESCRIPTION	QTY.
1	LL-G101-58	LESS LETHAL BOLT	1
2	LL-G103-21	LESS LETHAL CARRIER	1
3	G101-61	Extractor, Outboard	1
4	G101-66	EXTRACTOR PIN	2
5	G101-71	BOLT SPRING	1
6	G101-74	FIRING PIN	1
7	G101-73	FIRING PIN SPRING	1
8	G101-77	FIRING PIN RETAINER	1
9	G101-64	OUTBOARD EXTRACTOR SPRING	1
10	G101-70	INBOARD EXTRACTOR SPRING	1
11	LL-G101-72	LESS LETHAL CAM PIN	1
12	G101-67	Extractor, Inboard	1
13	G101-57	TIMING BLOCK SCREW	2
14	G101-56	TIMING BLOCK, BOLT CARRIER	1

LESS LETHAL LOWER RECEIVER



ITEM NO.	PART NUMBER	DESCRIPTION	QTY.
1	LL-G100-41	LOWER RECEIVER, LESS LETHAL	1
2	G100-51	TAKEDOWN DETENT	2
3	G100-52	TAKEDOWN DETENT SPRING	2
4	W001-05	BAD SAFETY, NON AMBI	1
5	G100-54	SAFETY DETENT	1
6	G100-55	SAFETY DETENT SPRING	1
7	G102-36	MAG CATCH BUTTON	1
8	G102-37	MAG CATCH - IMPROVED	1
9	G100-58	MAG CATCH SPRING	1
10	G100-59	BOLT CATCH - BAD 308	1
11	G100-60	BOLT CATCH SCREW	1
12	G100-61	BOLT CATCH SPRING	1
13	G100-62	BOLT CATCH PLUNGER	1
14	G100-65	CASTLE NUT	1
15	G100-66	BUFFER TUBE, CARBINE	1
16	G101-39	RECOIL SPRING - LESS LETHAL	1
17	G100-68	BUFFER	1
18	G100-69	BUFFER RETAINER	1
19	G100-70	BUFFER RETAINER SPRING	1
20	LL-G100-84	BUTTSTOCK - ADAPTIVE	1
21	G100-71	PISTOL GRIP - HOGUE	1
22	G100-73	GRIP SCREW	1
23	G100-74	ANTI WALK PIN	2
24	G100-75	ANTI WALK PIN SCREW	2
25	G100-78	HYPERFIRE TRIGGER ASSY	1
26	W001-16	QD ENDPLATE	1
27	W001-03	TAKE DOWN PIN SET (2)	1