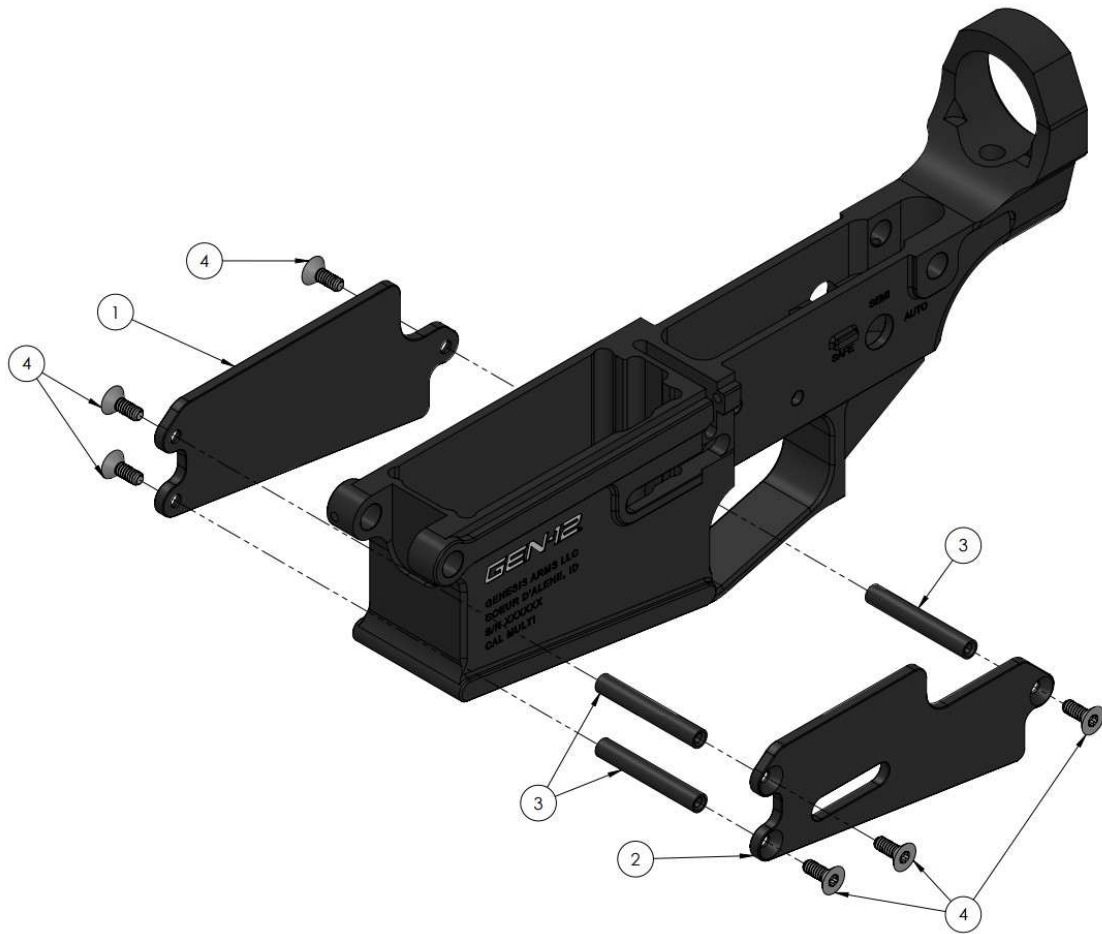




KP-MARS

**MAGNETIC ATTACHMENT RETENTION
SYSTEM**

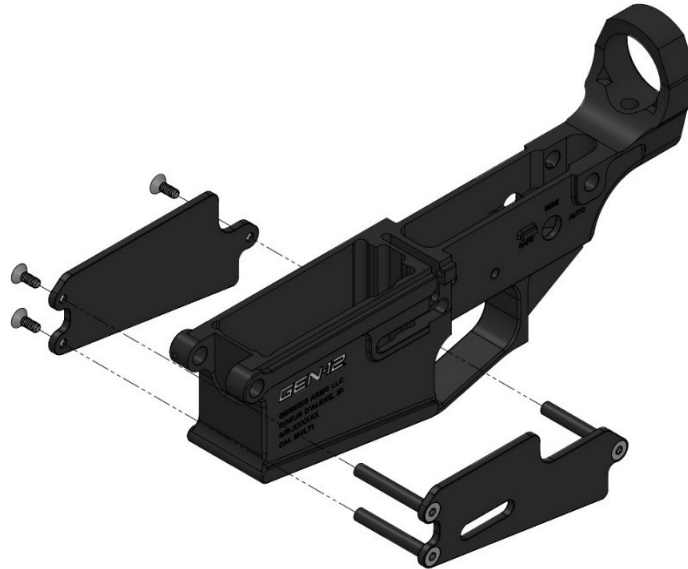
**FOR USE WITH GEN-12 MBS
(MODERN BREACHING SHOTGUN)**



PARTS INCLUDED:

ITEM NO.	PART NUMBER	DESCRIPTION	QTY.
1	G104-93	MBS RETENTION PLATE, RIGHT	1
2	G104-94	MBS RETENTION PLATE, LEFT	1
3	G104-95	MBS RETENTION PLATE CONNECTING ROD	3
4	HW100-04	MBS RETENTION PLATE SCREW	6

The Genesis Arms Magnetic Attachment Retention System (MARS) is designed to allow for the use of magnetic weapons catches as a secondary method to secure the Genesis Arms Gen-12 Modern Breaching Shotgun (MBS) during deployment.



ASSEMBLY

Install the 3 retention plate connecting rods to the left retention plate using the provided 6-32 flat head cap screws inserted from the outer side of the plate.

- The heads of the screws should sit in their respective countersinks located on the plate
- Apply Loctite 243 to the threads of the screws and fully seat the screws into the connecting rods using a T15 Torx driver

Slide the assembly over the magazine well of the Gen-12 MBS ensuring proper alignment with the exterior features of the lower receiver. The plate should sit flush against the receiver and the serial number of the receiver should be visible through the window in the plate. Install the 3 remaining 6-32 flat head cap screws through the right retention plate in the same manner as previously described.

- Torque all six screws to 10 in/lbs.